

Mounting frames - TECHNICAL CHARACTERISTICS

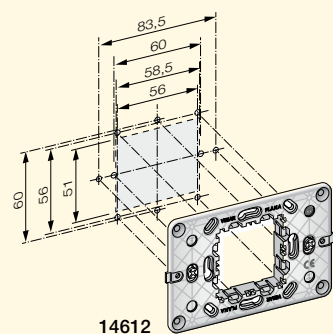
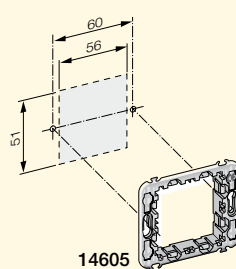
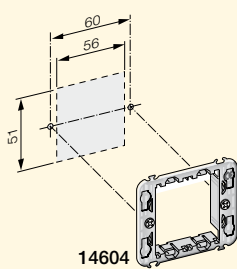
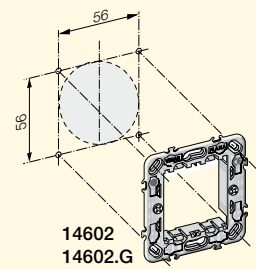
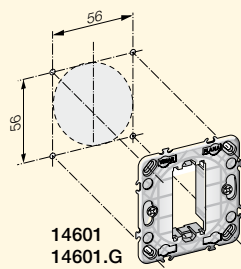
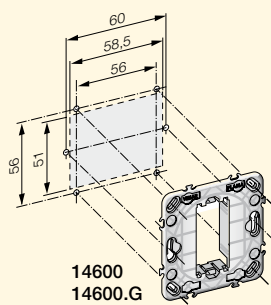
Technical specifications

- polycarbonate (Glow Wire 850 °C)
- dielectric strength 2000 V
- closely compacted rear grid for stiffening

Conformity to Standards

- LV Directive
- EN 60669-1 Standard

Dimensions (in mm)



Mounting frames

Mounting frame

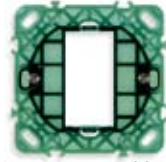
14600	.G	1-module mounting frame, without screws, for 60 mm fixing centres or 56x56 mm flush mounting boxes
14601	.G	1-module mounting frame, with claws, for ø 60 mm mounting boxes
14602	.G	2-module mounting frame, with claws, for ø 60 mm mounting boxes, modular, 71 mm distance between centres
14603	.G	2-module mounting frame, without screws, for 60 mm fixing centres or 56x56 mm mounting boxes, modular, 71 mm distance between centres, for horizontal or vertical installation



14600



14600.G
grey



14601



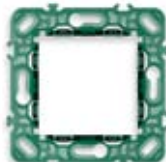
14601.G
grey



14602



14602.G
grey



14603



14603.G
grey

Mounting frame

14604	2-module mounting frame, with claws, for ø 60 mm mounting boxes, modular, 57 mm distance between centres
14605	2-module mounting frame, without screws, for 60 mm fixing centres mounting boxes, modular, 57 mm distance between centres, for horizontal or vertical installation
14612	2-central-module mounting frame, with screws, for 3-module mounting boxes or boxes with 60 mm fixing centres or 56x56 mm, for horizontal or vertical installation



14604



14605



14612

Mounting frames - TECHNICAL CHARACTERISTICS

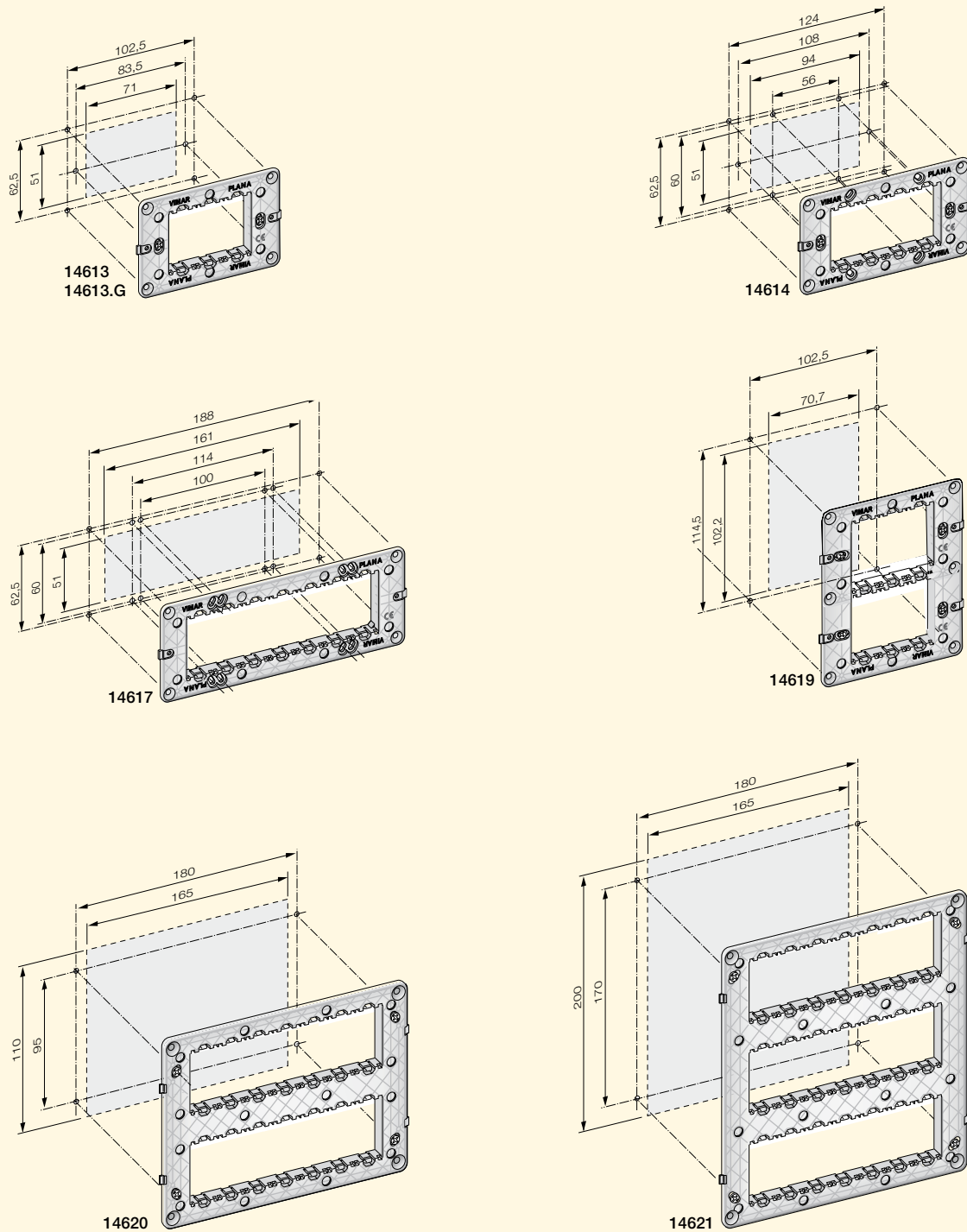
Technical specifications

- polycarbonate (Glow Wire 850 °C)
- dielectric strength 2000 V
- closely compacted rear grid for stiffening

Conformity to Standards

- LV Directive
- EN 60669-1 Standard

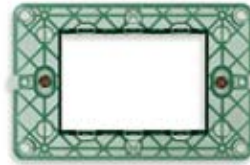
Dimensions (in mm)



Mounting frames

Mounting frame

14613	.G	3-module mounting frame, with screws, for 3-module mounting boxes
14614		4-module mounting frame, with screws, for 4-module mounting boxes
14617		7-module mounting frame, with screws, for 6/7-module mounting boxes



14613



14613.G
grey



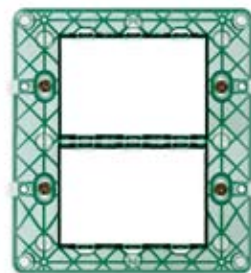
14614



14617

Mounting frame

14619	4x4" (6-module 3+3) mounting frame, with screws, for flush mounting boxes 09996...
14620	14 (7+7)-module mounting frame, with screws, for flush mounting boxes V71320, V71620 or surface mounting boxes 09920...
14621	21(7+7+7)-module mounting frame, with screws, for flush mounting box V71321 or for surface mounting boxes 09921...



14619



14620



14621

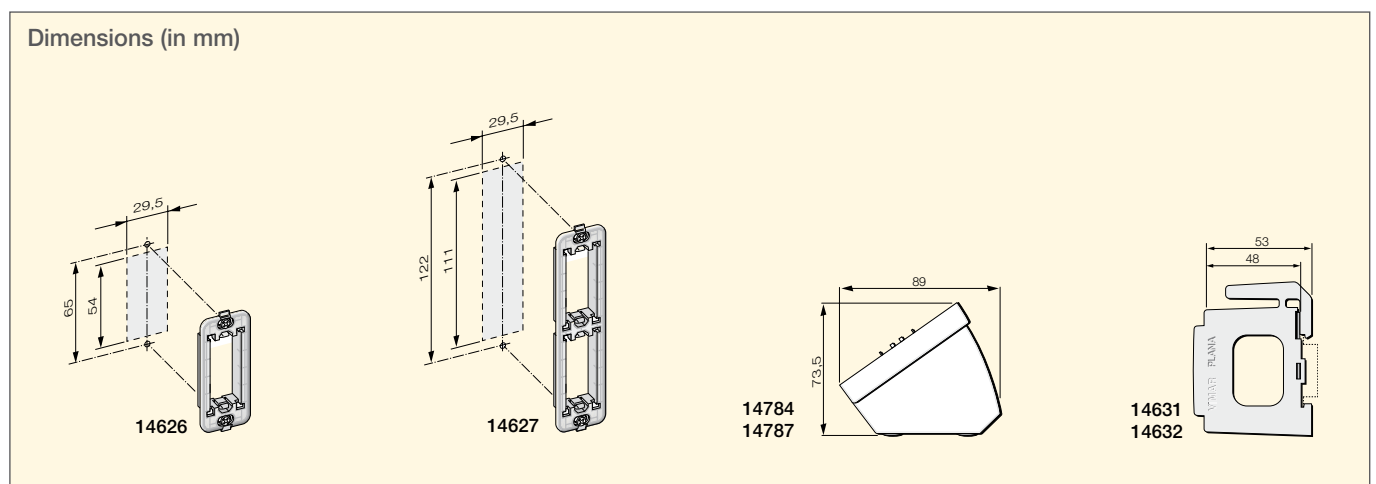
Mounting frames - TECHNICAL CHARACTERISTICS

Technical specifications

- polycarbonate (Glow Wire 850 °C)
- dielectric strength 2000 V
- closely compacted rear grid for stiffening

Conformity to Standards

- LV Directive
- EN 60669-1 Standard



Mounting frame

14626	1-module, with screws, for panel mounting
14627	2-module, with screws, for panel mounting
14631	1-module support for EN 50022 rail installation, occupies 1,5 17,5 mm modules, RAL 7035 grey. Provided with isolating lining
14632	2-module support for EN 50022 rail installation, occupies 3 17,5 mm modules, RAL 7035 grey. Provided with isolating lining



14626



14627



14631



14632

Table mounting boxes

14784	.SL	4-module table mounting box. To complete with 4-module cover plate
14787	.SL	7-module table mounting box. To complete with 7-module cover plate



14784
white



14784.SL
Silver



14787
white



14787.SL
Silver

Flush, surface and table mounting

Flush mounting - ø 60 mm mounting box - 2-module



V71001
GW 650 °C, light blue
V71001.AU
GW 960 °C, black



09971.A
43,5 mm deep,
RAL 9001 ivory



09972.01
30 mm deep,
white



14601
1-module, with
claws
14601.G
As above, grey



14641...
1-module, metal,
wood, and
technopolymer
(basic and Reflex).
Dimensions:
80x80x9 mm



14602
2-module, with
claws
14602.G
As above, grey



14604
2-module,
with claws



14642...
2-module, metal, wood,
and technopolymer
(basic and Reflex).

14642.C.01
with cover, white
Dim.: 80x80x9 mm



V71601
For hollow walls,
with screws,
GW 850 °C, light blue



09971.01
White

09971.SL
Silver



09972.SL
Silver



14600
1-module, without
screws
14600.G
As above, grey



14603
2-module, without
screws
14603.G
As above, grey



14605
2-module,
without screws

Flush mounting - ø 60 mm mounting box - 2-central-module



V71001
GW 650 °C, light blue
V71001.AU
GW 960 °C, black



14602
2-module, with
claws
14602.G
As above, grey



14604
2-module,
with claws



14652...
2-central-module, horizontal
and vertical installation, metal
and technopolymer (basic
and Reflex).
Dim.: 119,5x80x9 mm



V71601
For hollow walls,
with screws,
GW 850 °C, light blue



14603
2-module, without
screws
14603.G
As above, grey



14605
2-module,
without screws

Flush and table mounting - 3-module



V71303
GW 650 °C, light blue
V71303.AU
GW 960 °C, black



V71613
For hollow walls,
GW 850 °C,
light blue



09975.A
43,5 mm deep,
RAL 9001 ivory

09975.01
White

09975.SL
Silver



14612
2-central-module,
with screws



14613
3-module, with
screws



14652...
2-central-module, horizontal and vertical
installation, metal and technopolymer (basic
and Reflex). Dim.: 119,5x80x9 mm



14653...
3-module, metal, wood and technopolymer
(basic and Reflex). Dim.: 119,5x80x9 mm

Flush and table mounting - 4-module



V71304
GW 650 °C, light blue
V71304.AU
GW 960 °C, black



V71614
For hollow walls,
GW 850 °C,
light blue



14784
4-module, white
14784.SL
Silver



14614
4-module, with
screws



14654...
4-module, metal,
wood and technopolymer
(basic and Reflex).
Dim.: 142x80x9 mm

Flush, surface and table mounting

Flush and table mounting - 7-module



V71306
GW 650 °C, light blue
V71306.AU
GW 960 °C, black



V71616
For hollow walls,
GW 850 °C,
light blue



14787
7-module, white
14787.SL
Silver



14617
7-module, with
screws



14657...
7-module, metal, wood
and technopolymer
(basic and Reflex).
Dim.: 206x80x9 mm

Automation and video door entry system - flush mounting - 8-module



V71318
GW 650 °C, light blue



14550
Color display, LCD 3,5", with
built-in 8-module mounting
frame, white
14550.SL As above, Silver



14668...
8-module, technopolymer
(basic and Reflex)
Dimensions: 142,5x151x9 mm

Flush mounting - 4x4" - 6-module



09996
GW 650 °C, light blue
09996.AU
GW 960 °C, black



14619
6-module (3+3) 4x4",
with screws



14659...
6-module, technopolymer.
(Colours: 01, 02, 03, 04, 05, 06)
Dimensions: 120x132x11 mm

Flush and surface mounting - 14-module (7+7)



V71320
GW 650 °C, light blue



V71620
For hollow walls
GW 850 °C, light blue



09920.01, White
09920.SL, Silver



14620...
14-module (7+7),
with screws



14690...
14-module (7+7), technopolymer.
Colours: basic.
Dimensions: 206x148x11 mm

Flush and surface mounting - 21-module (7+7+7)



V71321
GW 650 °C, light blue



09921.01, White
09921.SL, Silver



14621
21-module (7+7+7),
with screws



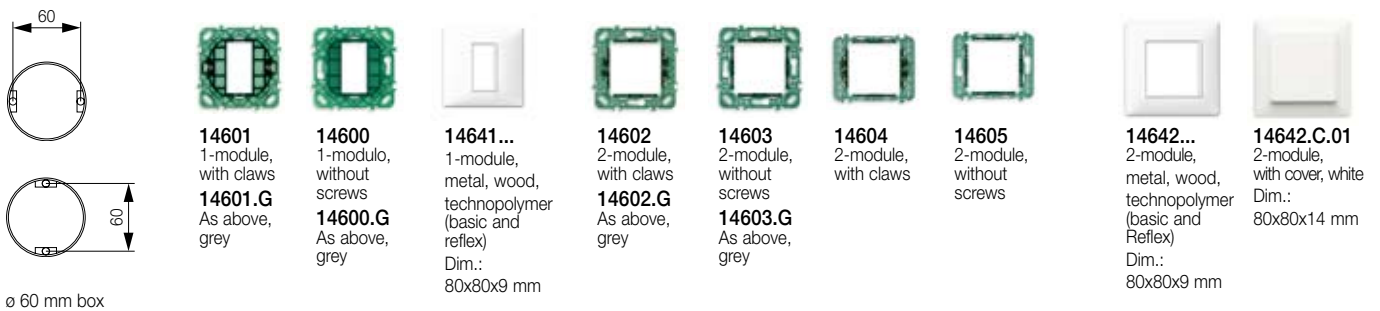
14691...
21-module (7+7+7), technopolymer.
Colours: basic. Dim.: 206x222x11 mm

Types of mounting

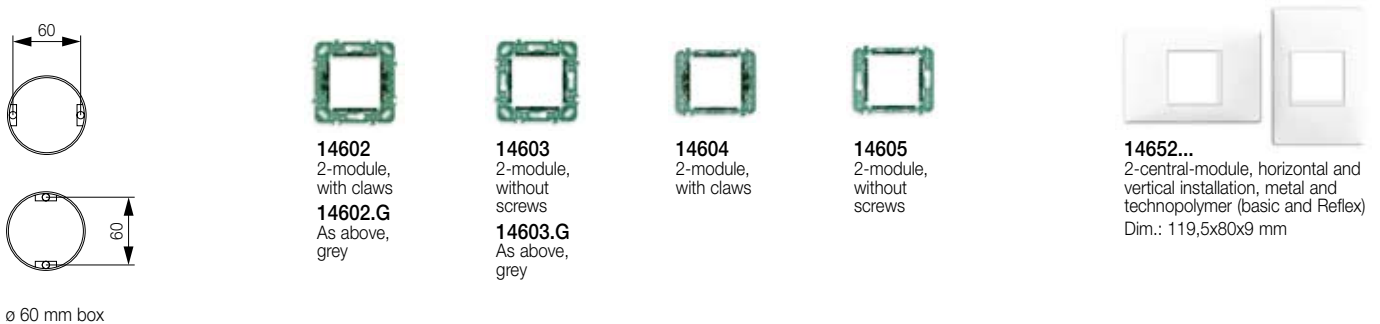
For panel mounting - 1- and 2-module



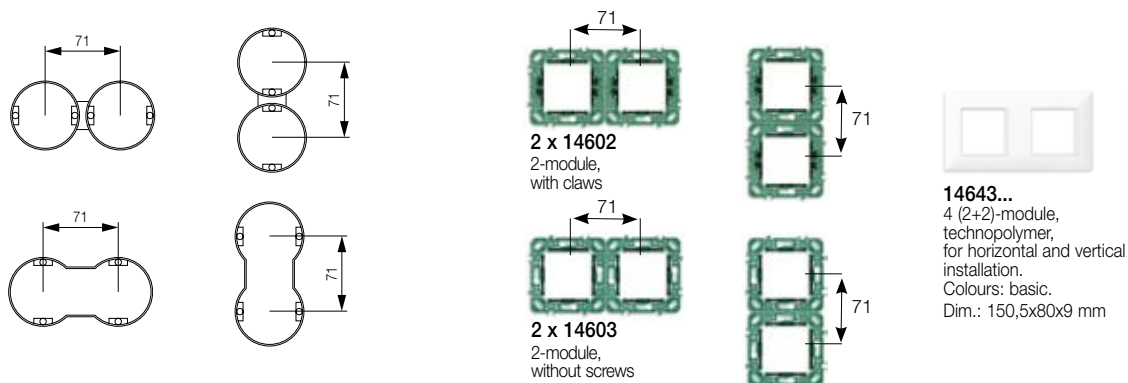
Modularity with 14600, 14601, 14602, 14603, 14604 and 14605 mounting frames



Modularity with 14600, 14601, 14602, 14603, 14604 and 14605 mounting frames

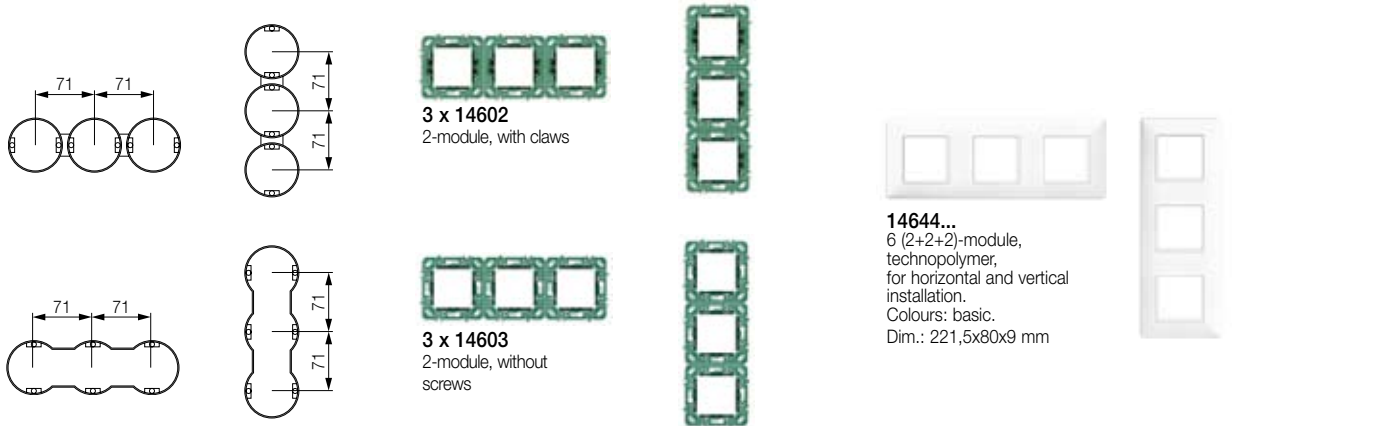


Modularity with 14602 and 14603 mounting frame - 71 mm distance between centres

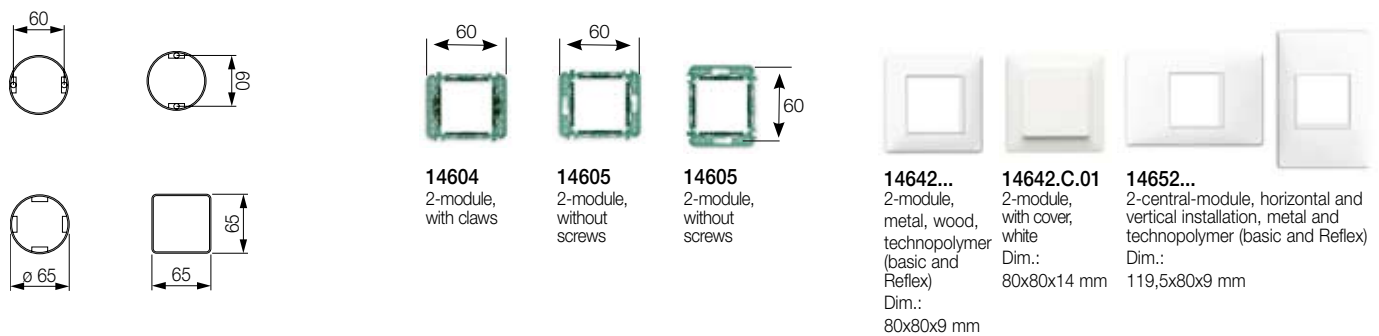


Types of mounting

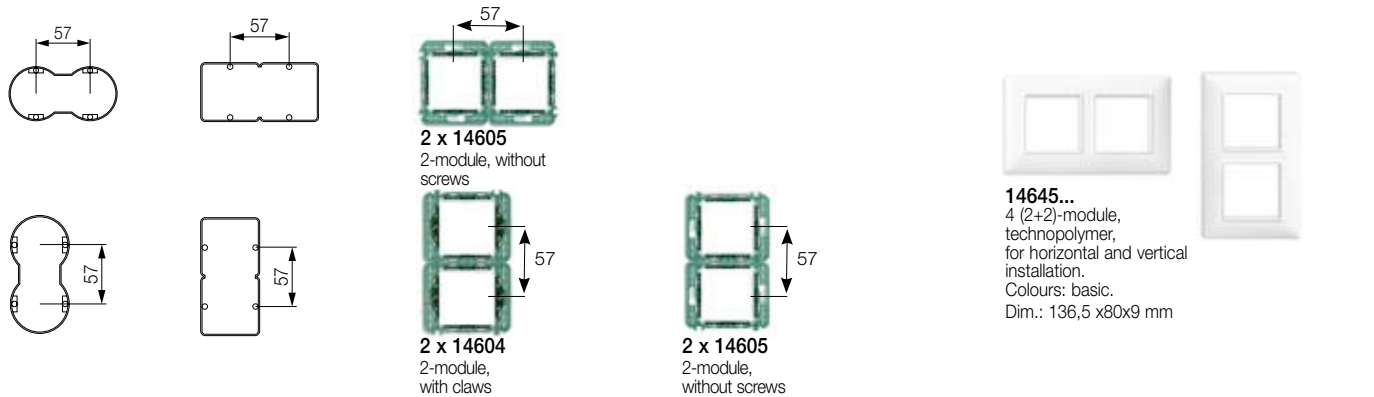
Modularity with 14602 and 14603 mounting frames - 71 mm distance between centres



Modularity with 14604 and 14605 mounting frames



Modularity with 14604 and 14605 mounting frames - 57 mm distance between centres



Modularity with 14604 and 14605 mounting frames - 57 mm distance between centres

