

For masonry - TECHNICAL CHARACTERISTICS

Technical specifications

- technopolymer highly resistant to impacts and to deformation
- temperature during installation: from -15 °C to +60 °C
- resistance to abnormal heat and to fire (Glow Wire test) 650 °C (960 °C .AU types)
- 20% increased inner space to ease accommodation of all the equipments and of all the cables necessary for their supply and operation
- possibility of realizing modular and electrically separated compartments with the divider V71550
- knockouts to accommodate differently sized conduits
- fixing lugs for the mounting frame screws with zinc-plating and olive green passivation, protected by special wax-like covering to prevent thread occlusion during installation and plastering and to ease screws engagement
- knockouts can be opened without the use of a tool
- antimortar protection for \varnothing 60 mm round mounting boxes and 3, 4, 5 and 6/7-module rectangular mounting boxes, through specially designed yellow covers
- technological solutions covered by many patents

Conformity to Standards

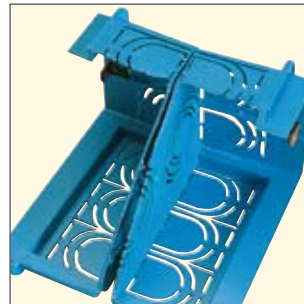
LV Directive
EN 60670-1 Standard



Dividing screen to realize modular and electrically separated compartments



Knockouts on all sides to accommodate differently sized conduits

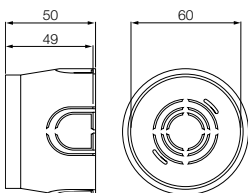


Precise back to back positioning, thanks to marking and stopping pins

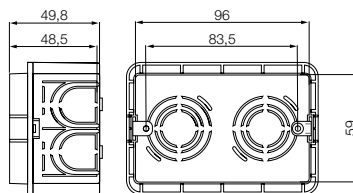


Knockouts fixed to the box in two points only

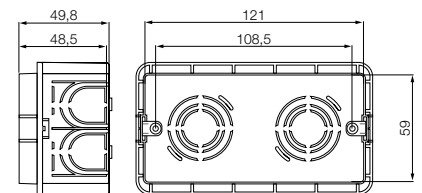
Dimensions (in mm)



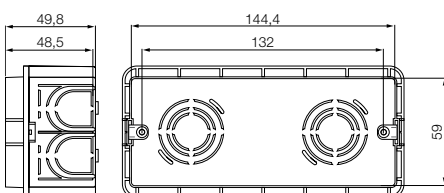
V71001
V71001.AU



V71303
V71303.AU



V71304
V71304.AU



V71305
V71305.AU

For masonry

Flush mounting boxes for masonry

V71001 Round mounting box, ø 60 mm (GW 650 °C), light blue

V71001.AU Round mounting box, ø 60 mm (GW 960 °C), black

V71303 Rectangular mounting box, 3 modules (GW 650 °C), light blue

V71303.AU Rectangular mounting box, 3 modules (GW 960 °C), black



V71001



V71303



V7001.AU



V71303.AU

Flush mounting boxes for masonry

V71304 Rectangular mounting box, 4 modules (GW 650 °C), light blue

V71304.AU Rectangular mounting box, 4 modules (GW 960 °C), black

V71305 Rectangular mounting box, 5 modules (GW 650 °C), light blue

V71305.AU Rectangular mounting box, 5 modules (GW 960 °C), black



V71304



V71305



V71304.AU



V71305.AU

Isobox: flush mounting boxes

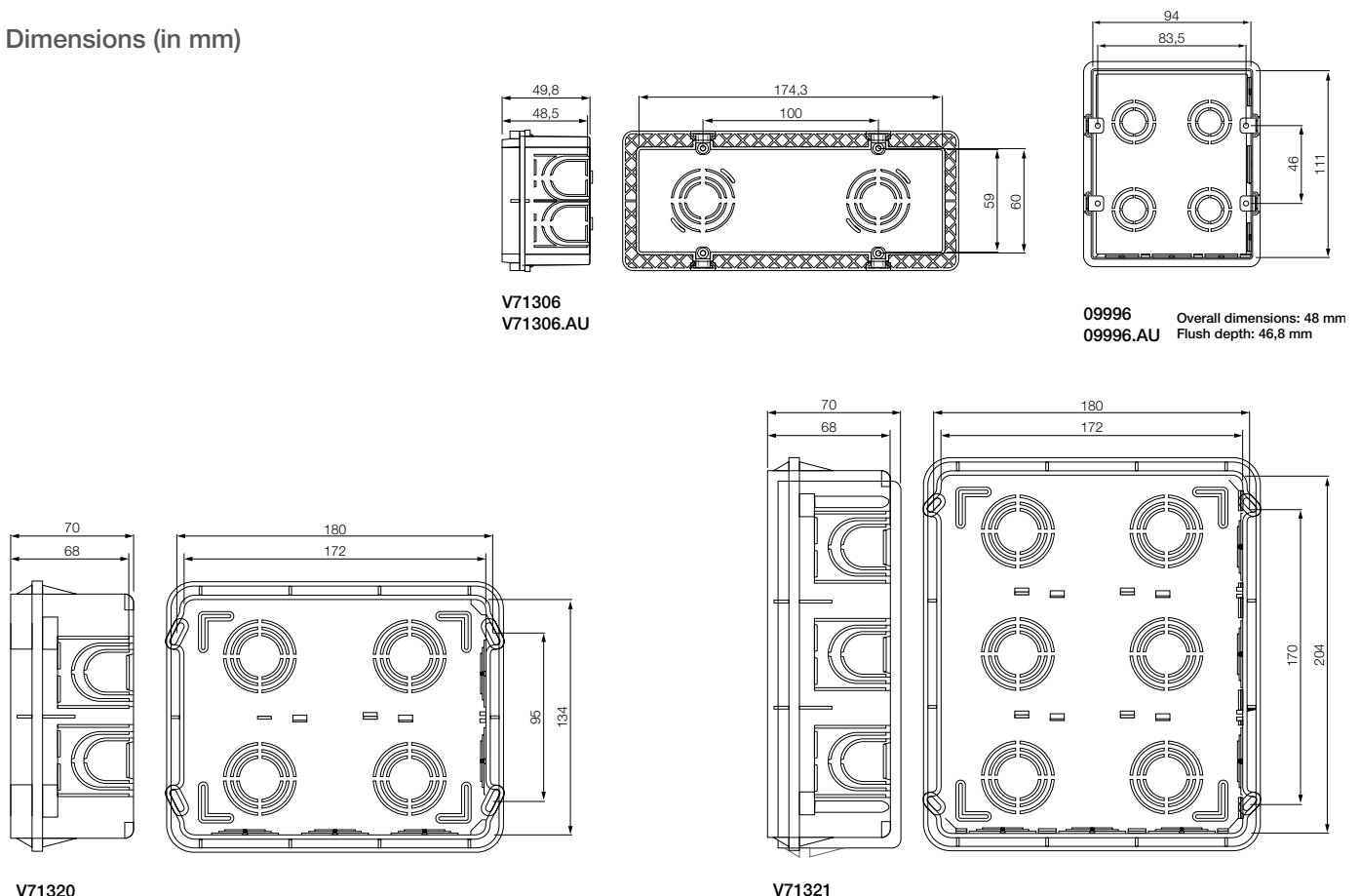


For masonry - TECHNICAL CHARACTERISTICS

V71303 - Installation

- **V71323:** Protective antimortar cover for 3-module box
- Profiles for removing the cover with the help of pliers
- **V71303:** 3-module flush mounting box.
- Reinforced area so as to assure structural strength for fixing the mounting frame
- **V71550:** Dividing screen for electrically separated compartments
- Rack for fixing the dividing screen (Vimar patent)
- **V71562:** Joint plate for side-by-side installations
- As it is inside the box profile, the edge of the cover assures easiness and utmost accuracy when removing the plaster and cover
- Fixing lugs for making cover removal easier. They can be folded so as to not disturb the plaster (Vimar patent)

Dimensions (in mm)



For masonry

Flush mounting boxes for masonry

V71306	Rectangular mounting box, 6/7 modules (GW 650 °C), light blue
V71306.AU	Rectangular mounting box, 6/7 modules (GW 960 °C), black
09996	Rectangular mounting box, 6 (3 over 3) modules (GW 650 °C), light blue
09996.AU	Rectangular mounting box, 6 (3 over 3) modules (GW 960 °C), black



V71306



09996



V71306.AU



09996.AU

Flush mounting boxes for masonry

V71320	Rectangular mounting box, 12/14 modules (GW 650 °C), light blue
V71321	Rectangular mounting box, 18/21 modules (GW 650 °C), light blue



V71320



V71321

For hollow walls - TECHNICAL CHARACTERISTICS

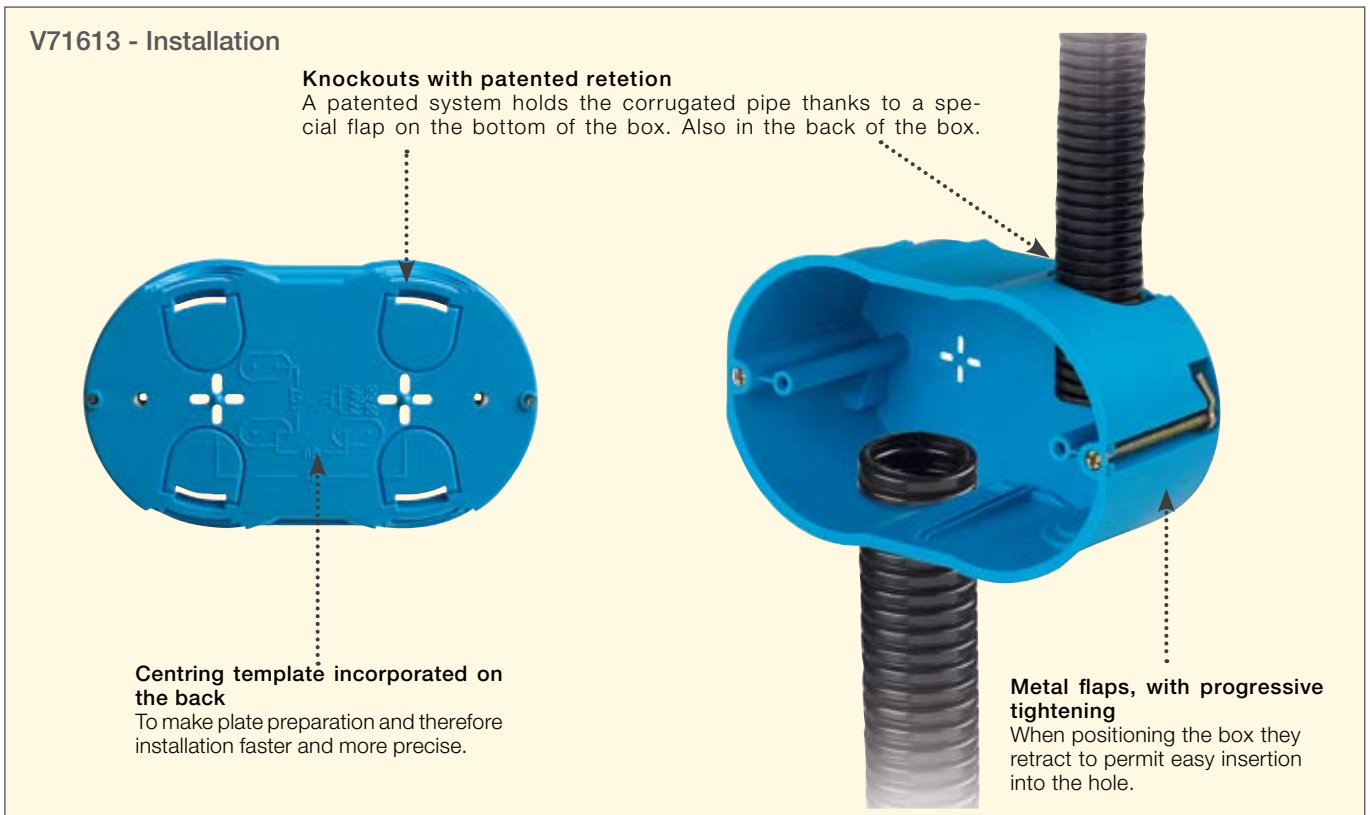
Technical specifications

- suitable to be mounted in cavity walls (plaster, wood, laminated structures) not permitting the use of conventional fixing devices
 - rear built-in centring template, for a faster and more precise preparation of the plate and side-by-side installation. The box shape allows the use of a 68 mm hollow mill applied to a drill.
 - Knockouts with patented retention. On each side there are knockouts of different diameters: 16, 20 and 25 mm. And for each knockout a patented system holds the corrugated pipe thanks to a special flap on the bottom of the box: just insert the pipe
 - metal flaps, with progressive tightening.
- When positioning the box they retract to permit easy insertion into the hole.

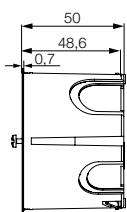
- During assembly they have progressive tightening to grip on plates from 1 to 38 mm.
- And if you want to remove the box, just loosen the screws and the flaps will retract into their seat
- technopolymer, highly resistant to impacts and to deformation
- temperature during the installation: from -15 °C to +60 °C
- resistance to abnormal heat and to fire: Glow Wire test at 850 °C

Conformity to Standards

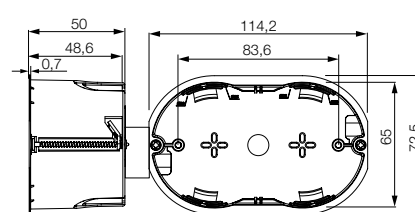
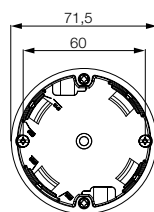
LV Directive
EN 60670-1 Standard



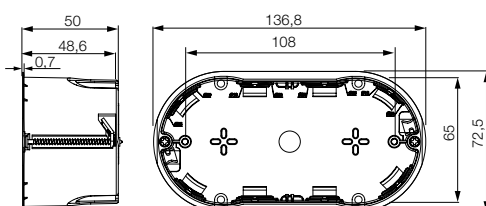
Dimensions (in mm)



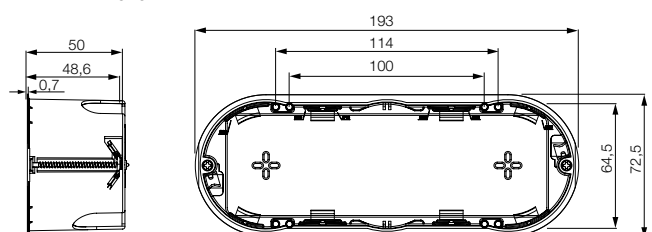
V71601



V71613



V71614



V71616

For hollow walls

Flush mounting boxes for hollow walls

V71601	Round mounting box (GW 850 °C), light blue. Suitable only for mounting frames without claws
V71613	3-module mounting box (GW 850 °C), light blue



V71601



V71613

Flush mounting boxes for hollow walls

V71614	4-module mounting box (GW 850 °C), light blue
V71616	6/7-module mounting box (GW 850 °C), light blue



V71614



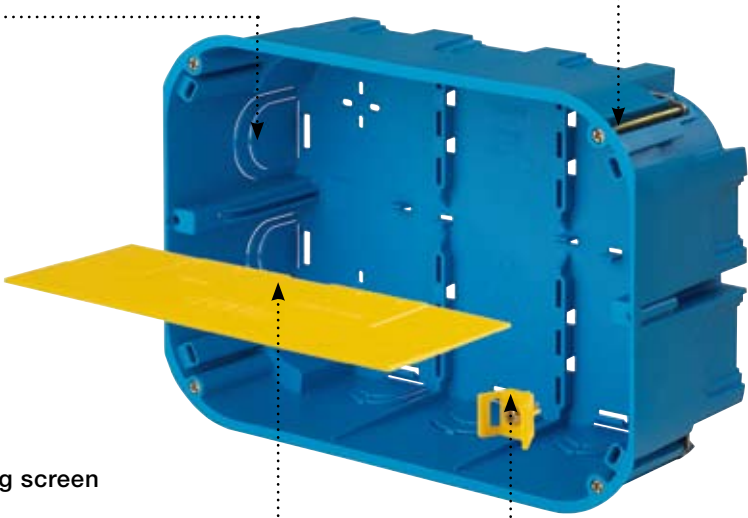
V71616

Isobox: flush mounting boxes


For hollow walls - TECHNICAL CHARACTERISTICS

Knockouts with patented retention
Side and bottom, in different diameters:
20, 25 and 32 mm.

Multifunction box
(V71620)




Horizontal dividing screen
(V71551)




8-module Idea consumer unit
(V53008...)
Consumer unit with horizontal transparent door with EN 50022 rail.

Cable ties backing attach (V70186)

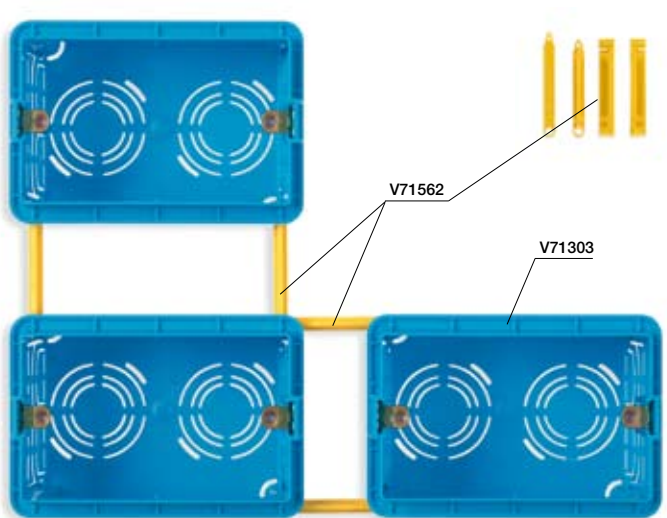


Plana 14-module with frame (14620) and cover plate (14690...);
or:
Eikon 14-module with frame (20620) and cover plate (20660...);
Idea 12-module with frame (16718) and cover plate (16748...).

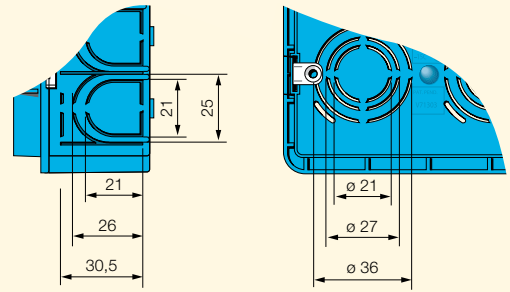
Cover
(V71630)
For V71620 and V71320 flush mounting boxes.



Side-by-side installation with V71562 joint plate



Cable entry dimensions



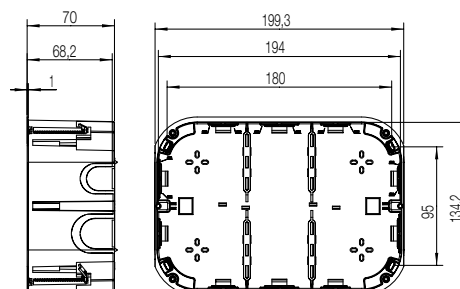
For hollow walls

Flush mounting boxes for hollow walls

V71620 Multifunction mounting box (GW 850 °C), light blue.



V71620



Antimortar protective cover

V71011 Antimortar protective cover for V71001 and V71001.AU, yellow

V71323 Antimortar protective cover for V71303 and V71303.AU, yellow

V71324 Antimortar protective cover for V71304 and V71304.AU, yellow

V71325 Antimortar protective cover for V71305 and V71305.AU, yellow

V71326 Antimortar protective cover for V71306 and V71306.AU, yellow

V71550 Dividing screen for rectangular flush mounting boxes V71303..., V71304..., V71305..., V71306..., yellow.

Allows to realize electrically separated compartments inside the box

V71551 Horizontal dividing screen for rectangular flush mounting V71320, V71321, 09920..., 09921..., yellow.

Allows to realize electrically separated compartments inside the box

V71562 Joint plate for rectangular flush mounting boxes V71303..., V71304..., V71305..., V71306..., yellow.

For horizontal or vertical side-by-side installation

V70186 Cable ties backing attach, yellow

V70191 Joint plate, yellow

V70181 Dividing screen for V70006, V70007, V70008, V70009, V70010, yellow

V70185 Signalling tag for V70181 dividing screen, yellow



V71011



V71323



V71324



V71325



V71326



V71562



V71550



V71551



V70186



V70191



V70181



V70185

Cover

02645 Round cover, \varnothing 76 mm, with claws for \varnothing 55-70 mm boxes, urea resin, white

02646 Round cover, \varnothing 94 mm with claws for \varnothing 75-85 mm boxes, urea resin, white

02647 Square cover, 82x82 mm, with claws for \varnothing 55-70 mm boxes, urea resin, white

02648 Square cover, 101x101 mm, with claws for \varnothing 75-85 mm boxes, urea resin, white

02653 Rectangular cover with screws, for 3-module flush mounting boxes, urea resin, white

V71630 Rectangular cover with screws, for V71320 and V71620 flush mounting boxes, white



02645



02646



02647



02648



02653



V71630

Side views show the overall dimensions and the flush depth in mm